

**Product Spec Sheet**  
**Master Artisan Collection**



Inspired by the magnificent flooring that once graced the finest European châteaux, Master Artisan retraced the patina onto our luxuriously wide planks. All of our woods are sustainably harvested from Europe, USA and Canada. Every color is sawn cut and uniquely hand-crafted in small batches by our skilled artisans. We apply state-of-the-art smoking, staining and finishing techniques to bring out the richest colors, textures and characters found only in real wood. Original design coupled with superior craftsmanship make our flooring the statement piece in any space.

**Features**

- Twelve Oaks signature luxurious hardwood flooring. Hand-stained and crafted to perfection by skilled artisans.
- Finished with aluminum oxide UV coating, but has the oil-finished matte look. Small-batch production.
- Indoor Air Quality and Formaldehyde Emission tests: FloorScore certified, CARB 93120 Phase 2 and EPA 40 C.F.R. 770 compliant

**Product Information**

Construction	Profile	Wood Species	Dimension	The Look
Multi Layer Ply Core	Tongue and Groove	Hickory, White Oak, American Oak	Hickory & White Oak: 3/4" x 7-1/2" x 75" RL mostly 75" long boards  American Oak: 3/4" x 8-5/8" x 86-5/8" RL 50% full length boards	Handscraped and/or Wirebrushed

Finish	Sawn Method	Residential Warranty	Commercial Warranty	Installation	Installation Instruction
Hand stained and finished with 7 Aluminum Oxide topcoats	Sawn Cut, 3mm solid wood veneer	35-Year Residential Limited Warranty	5-Year Light Commercial Warranty	Below, on or above grade	Please refer to Installation Instruction, Care and Maintenance Guide

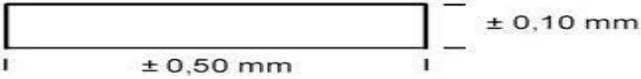

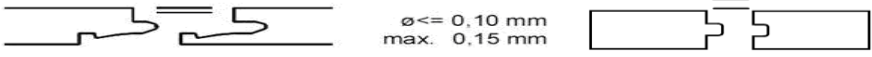
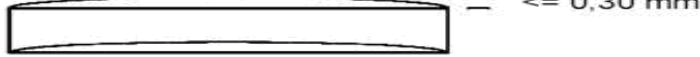
**Essential Characteristics**

Characteristics	Test Method	Requirement	Our products test result
Reaction to fire	EN13501-1	National requirement	Class C fl-s1
Content of pentachlorophenol	CEN/TR 14823	No content allowed	No content
Slip resistance	EN 13893	Class DS: $\mu \geq 0.30$	DS
Formaldehyde Emission	ASTM D6007-2014	$\leq 0.05$ ppm	$\leq 0.01$ ppm, Pass

**Classification Requirements**

Characteristic	Test Method	Valuation
Effect of a furniture leg	EN 424	We recommend the use of protective mats
Effect of castor chair	EN 425	We recommend using felt pads under all furniture legs
Chemical resistance	EN 13442	Category 5
Bond strength/gross cut test	ISO 2409	Category 0
Moisture content	GB/T18103-2013	6-9%
Glue Bonding	GB/T18103-2013	1.41PMa



Tolerance	
Thickness Variance	≤0.5mm
Openings between join panels	≤0.15mm
Dimension Tolerance Length & Width (mm)	
Squareness (mm)	
Height Variation (mm)	
Edge Straightness (mm)	
Flatness	Width Flatness, concave<0.15%, convex<0.20% Length Flatness, concave<0.50%, convex<1.0%

Packaging Information					
	Length (mm)	Width (mm)	Thickness (mm)	Sq. ft. per Carton	Weight (lb. per carton)
<b>Hickory &amp; W. Oak Plank</b>	Assorted Lengths 630 - 1900	190	18		
<b>Hickory &amp; W. Oak Carton</b>	1905	195	110	23.5	55
<b>American Oak Plank</b>	2200	220	18		
<b>American Oak Carton</b>	2210	230	92	26.1	63

Pallet Information					
	Length   Width   Height (mm)	Volume (m³)	# of carton per Pallet	Sq. ft. /pallet	Weight (lb.)
<b>Hickory &amp; W. Oak Pallet</b>	1905   975   1100	2.04	40	940	2200
<b>American Oak Pallet</b>	2210   1100   930	2.26	50	1305	3150